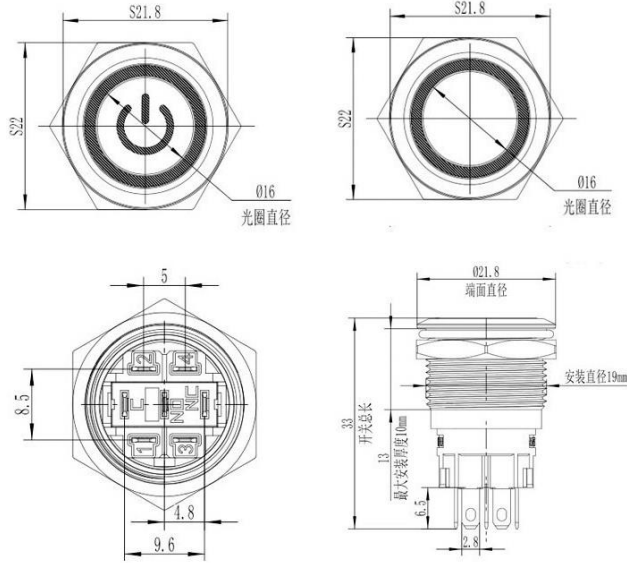


Pressure switch, chrome - 3V/5V, LED illuminated

Product Overview:

The Illuminated Chrome Push Button Switch is a versatile component designed for various electronic applications. It features an independent LED ring illumination, allowing for separate control of the LED and switch functions.



Features:

- Independent LED Operation: The LED ring has its own power supply, enabling it to be turned on or off independently of the switch status.
- Durable Construction: Chrome-plated housing ensures longevity and resistance to wear.
- Multiple LED Colors: Available in various colors to suit different design requirements.

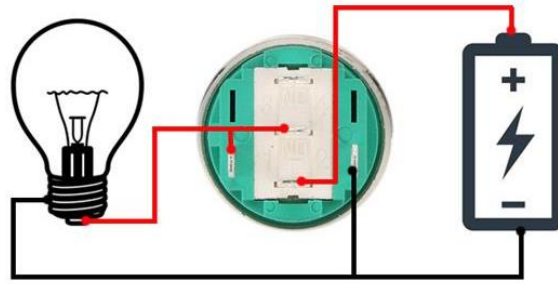
安装直径 Installation diameter	8mm/1A 12mm/3A 16mm 19mm 22mm
开关电压 Switching voltage	1.5V~250VAC/DC
开关电流 Switching current	3mA~5A
LED 电压 Lamp voltage	3VDC~220VAC电压可选 Voltage selectable
发光颜色 Luminous color	红 黄 蓝 绿 白 橙 其他颜色定制 ● Y ● B ● G ● W ● Other customization
工作形式 Work form	自锁式/自复式 选择 Self-locking/self-reset option
工作环境 Work environment	-30°C~+80°C
螺母扭矩 Nut torque	5~14N.m
按键压力 Button pressure	约2.5~3N
开关组合 Switch combination	(1NO1NC) 1开1闭
接线方式 Connection mode	焊接脚 (插簧端子) Welded foot (terminal)
壳体材质 Shell material	H59铜镀镍/SUS304/铝合金氧化 H59 Copper Nickel /Plating/SUS304/ Aluminum Alloy Oxidation

机构材质 Material of mechanism	底座PA6/插针黄铜镀银/基座附PC Base PA6/Pin Brass Silver Plating/Base with PC
触点材质 Contact material	银合金 Silver alloy
防水等级 Waterproof grade	IP66
防护等级 Protection level	IK10
灯珠寿命 Lamp life	40000小时 40000 hours
电气寿命 Electrical life	0.2A/250VAC;20W次 3A/250VAC;5W次
机械寿命 Mechanical life	自锁/25万次-自复/50万次 Self-locking/250,000 times -self-recovery/500,000 times
接触电阻值 Contact resistance value	≤50mΩ
绝缘电阻 insulation resistance	≥1000mΩ
耐压强度 Compressive strength	1900VACmin
按键种类 Key type	平面 凸面 Plane convex surface
产品认证 Product certification	CE ROHS

Pressure switch, chrome - 3V/5V, LED illuminated

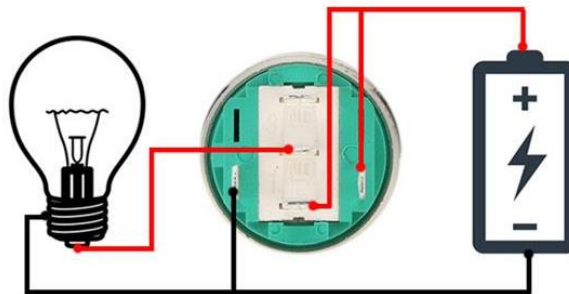
Normally open wiring mode 1

The on-off of the light is controlled by the button, and the power is cut off under normal load conditions. Power on after pressing the button.



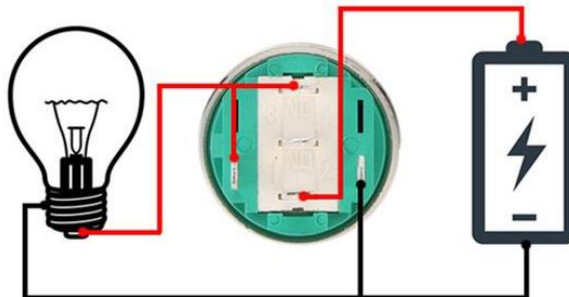
Normally open wiring mode 2

After the power is turned on, the light is always on, and the load is powered off under normal conditions. Press the button power on after pressing the button.



Normally closed wiring mode 1

The light on and off is controlled by the button, and the load is powered on under normal conditions. Power off when the button is pressed.



Normally closed wiring mode 2

After the power is turned on, the light is always on, and the load is powered on normally, press the button power off after pressing the button.

