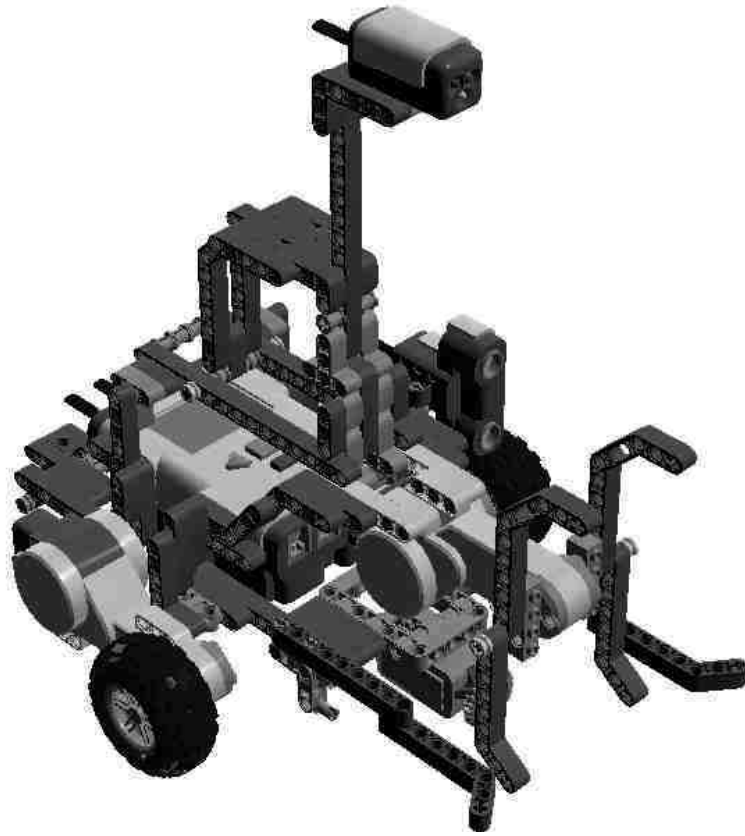
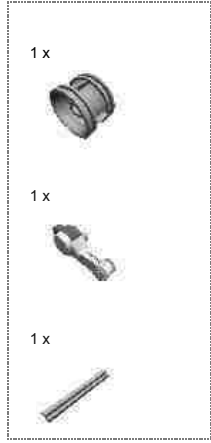


LEGO DIGITAL DESIGNER 4.2

Model Name:
Robby_Tobby_Bauplan
Number of Bricks: 249



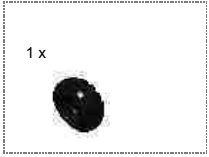
Step 1 of 102



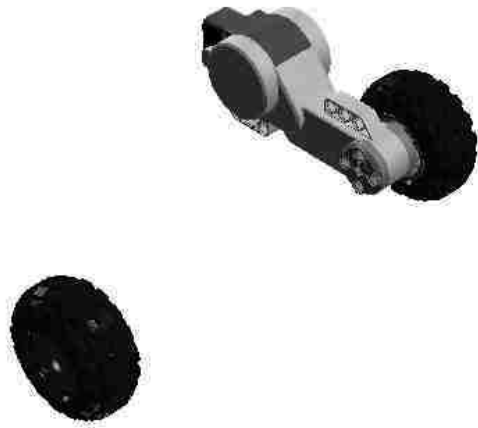
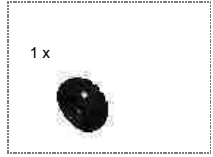
Step 2 of 102



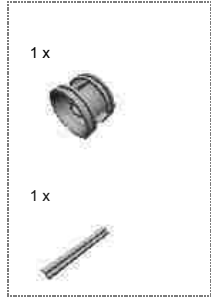
Step 3 of 102



Step 4 of 102

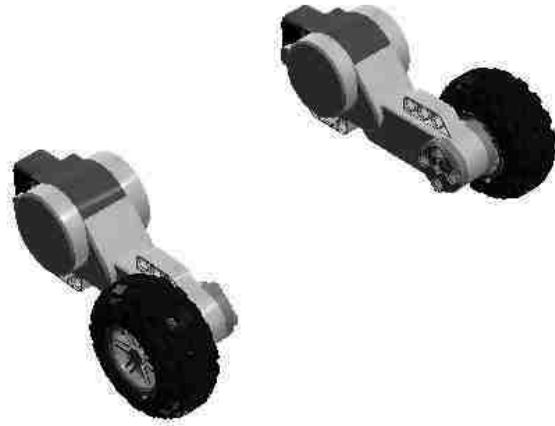


Step 5 of 102

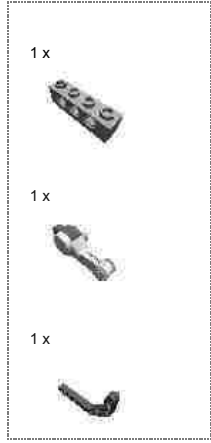


Step 6 of 102

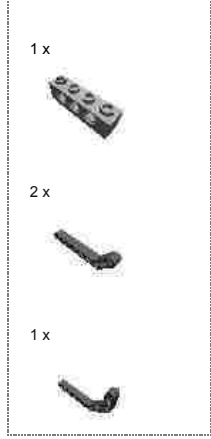




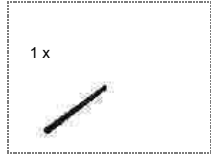
Step 8 of 102



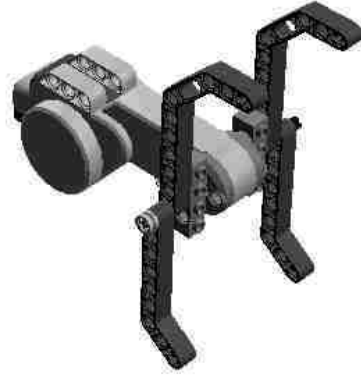
Step 9 of 102



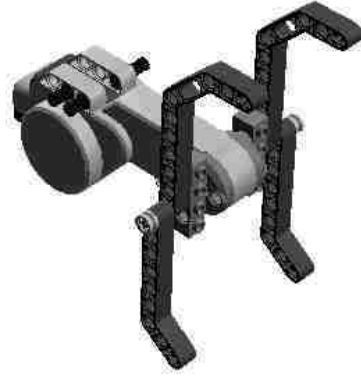
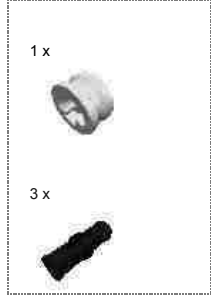
Step 10 of 102



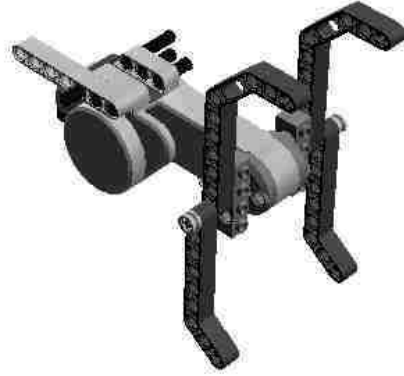
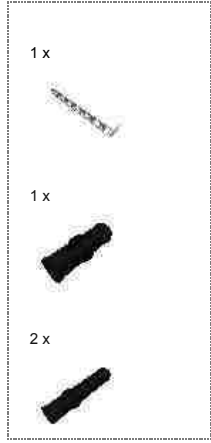
Step 11 of 102



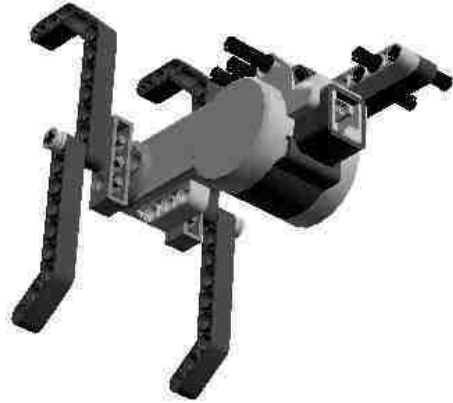
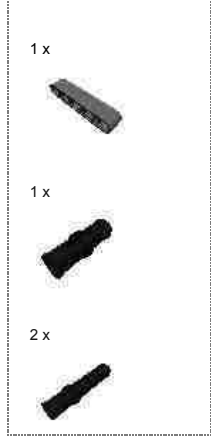
Step 12 of 102



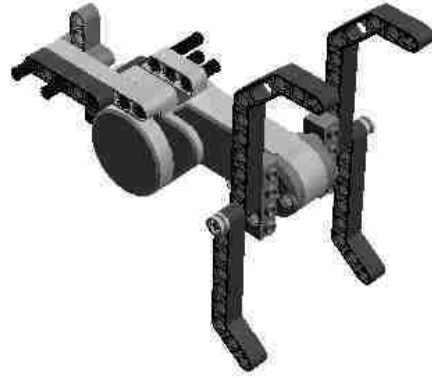
Step 13 of 102



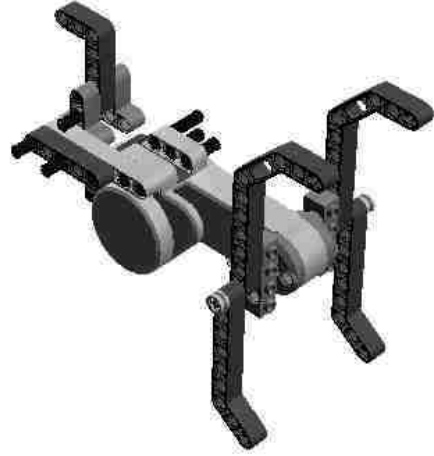
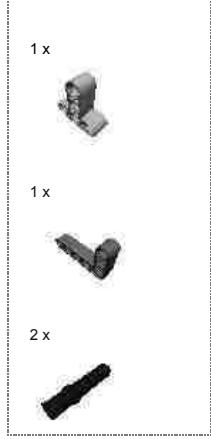
Step 14 of 102



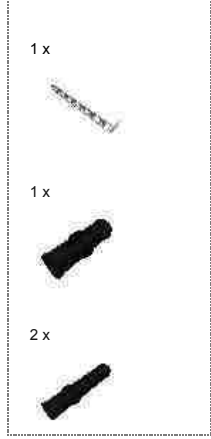
Step 15 of 102



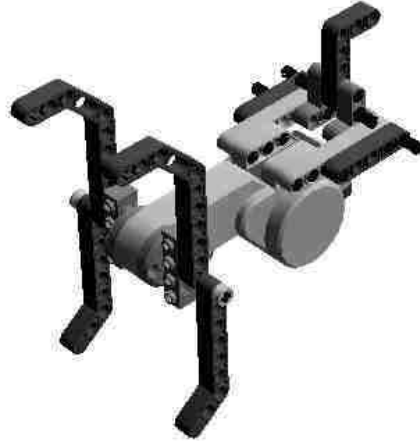
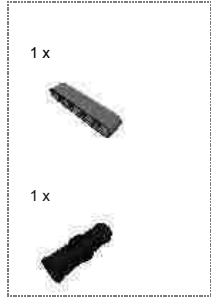
Step 16 of 102



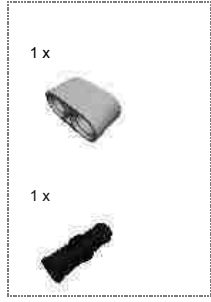
Step 17 of 102



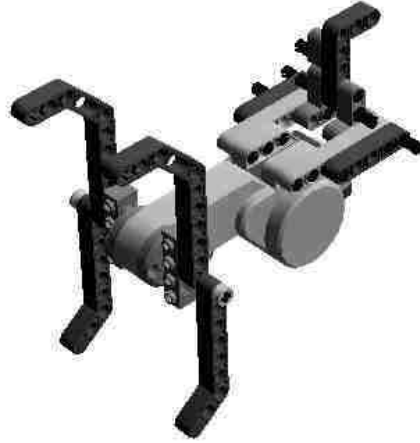
Step 18 of 102



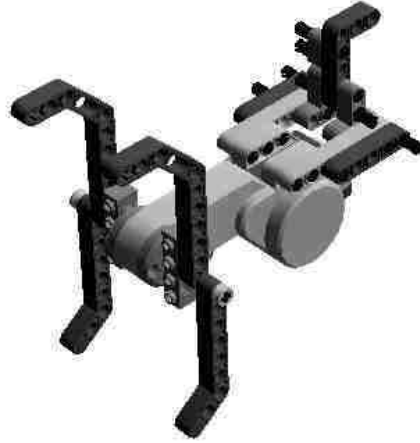
Step 19 of 102




Step 20 of 102

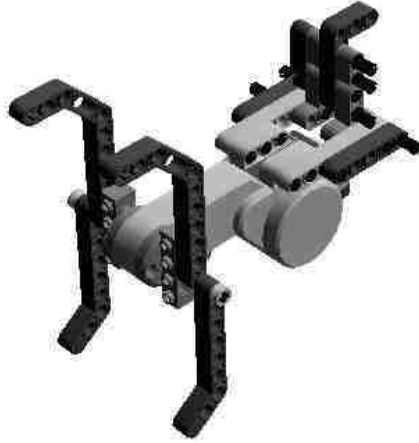


Step 21 of 102

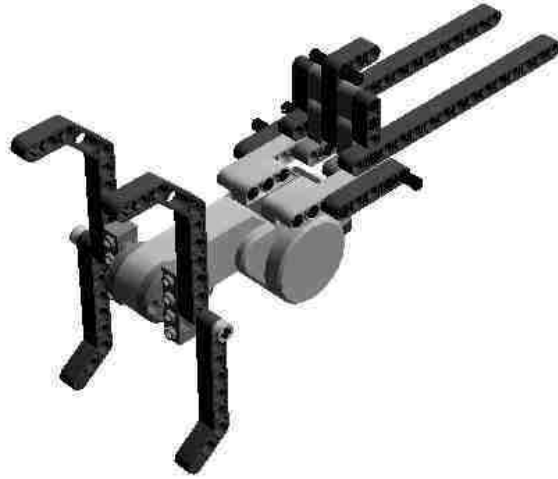


Step 22 of 102

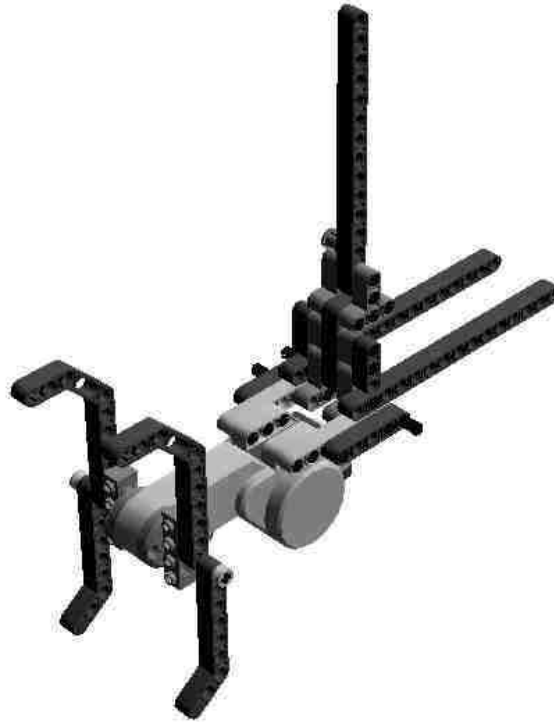
- 1 x 
- 1 x 
- 1 x 
- 1 x 



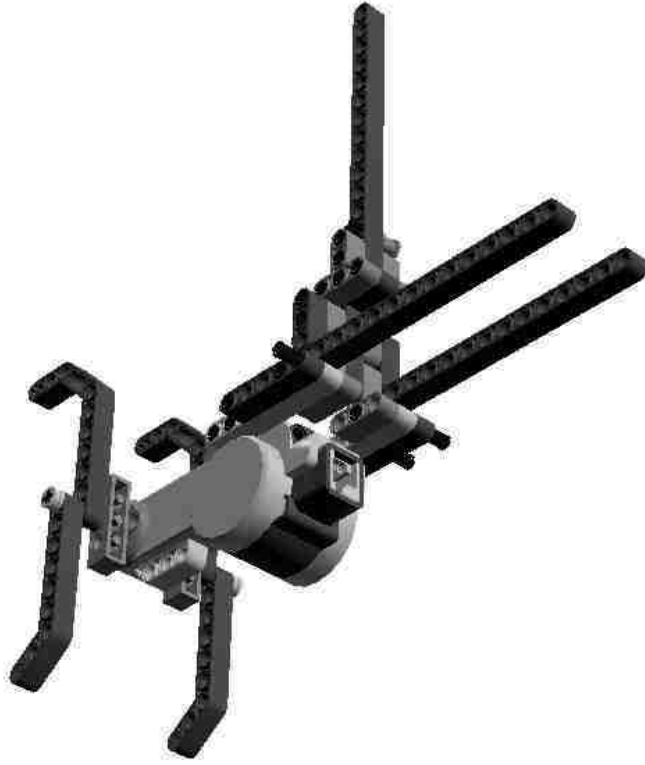
Step 23 of 102



Step 25 of 102



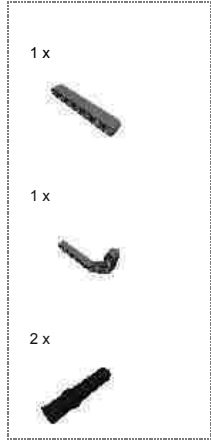
Step 26 of 102



Step 27 of 102



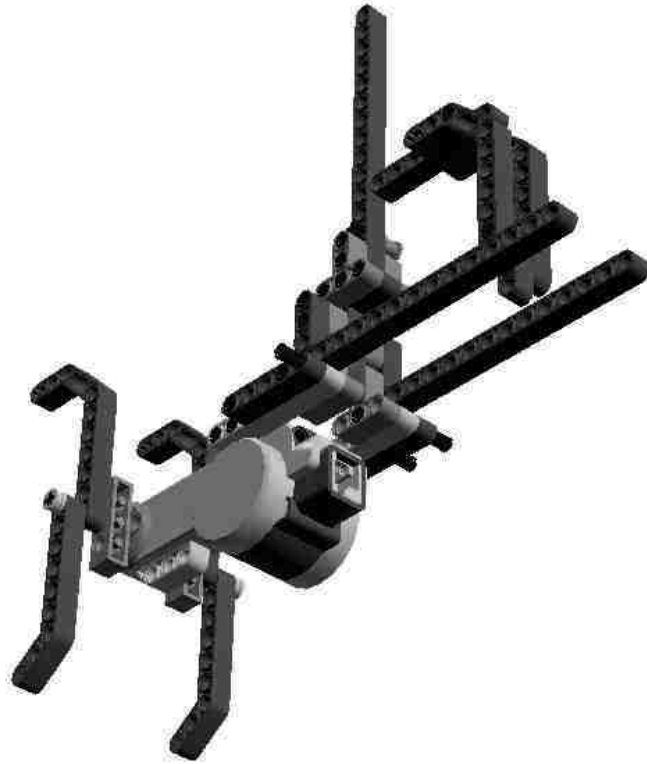
Step 28 of 102



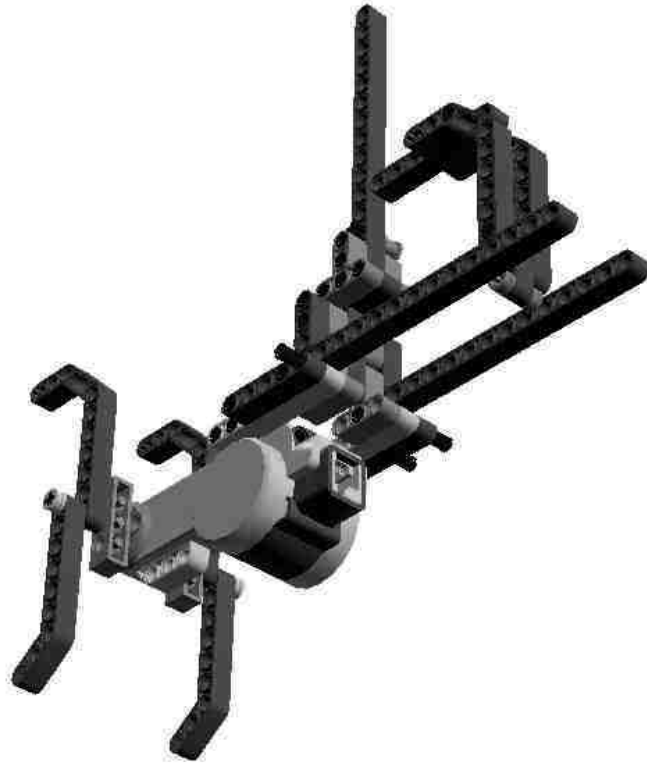
Step 29 of 102



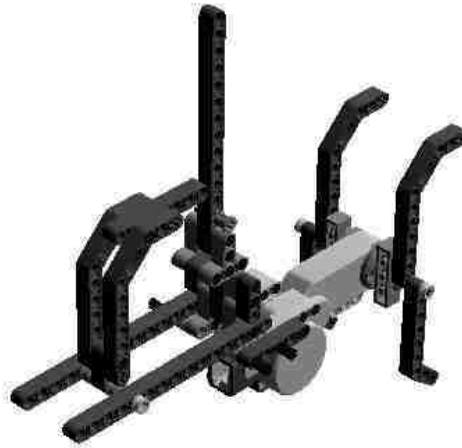
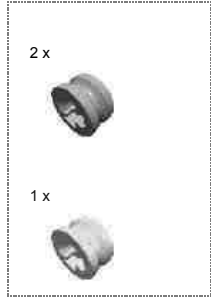
Step 30 of 102



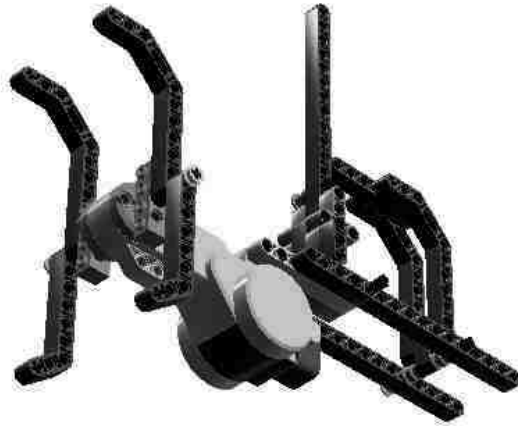
Step 31 of 102



Step 32 of 102



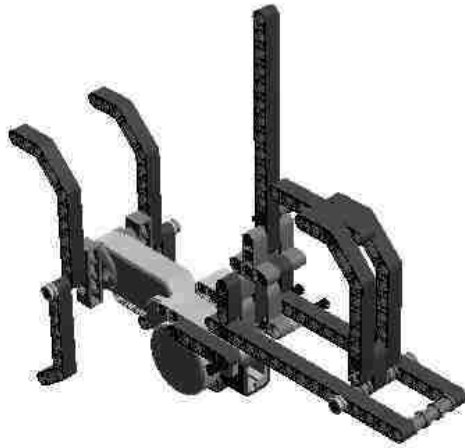
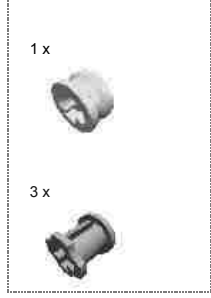
Step 33 of 102



Step 34 of 102



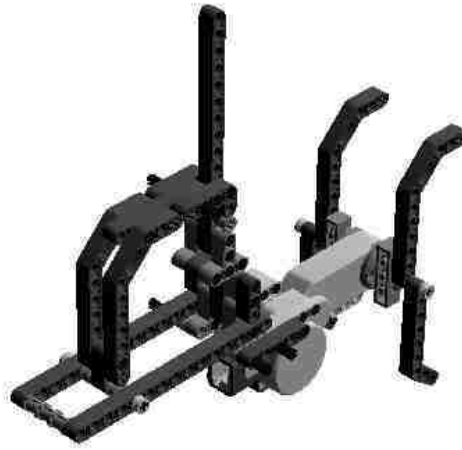
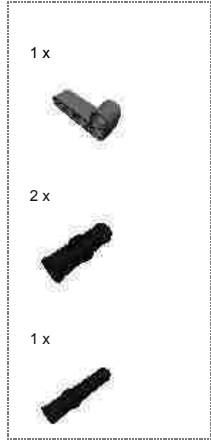
Step 35 of 102



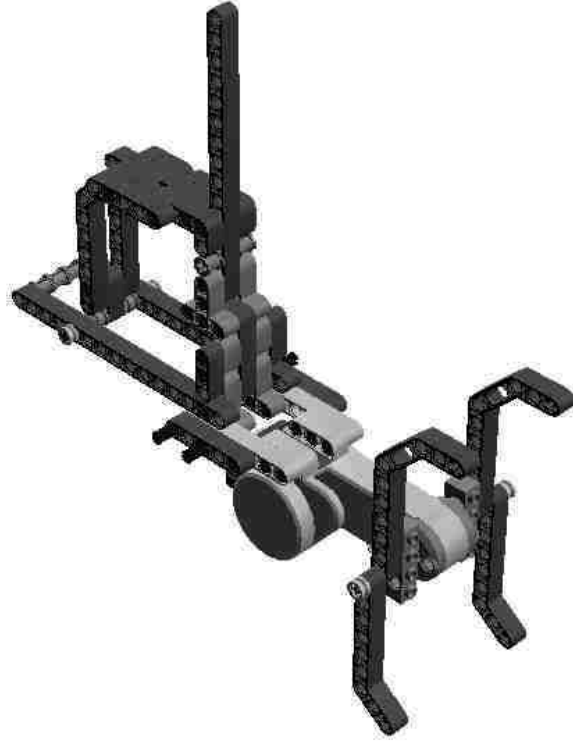
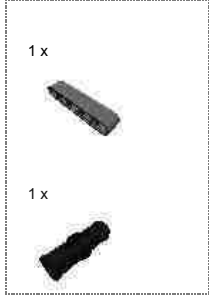
Step 36 of 102



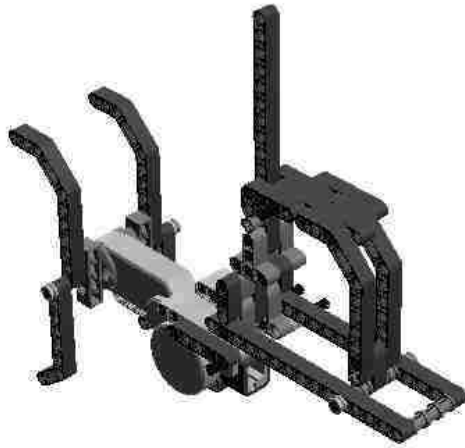
Step 37 of 102



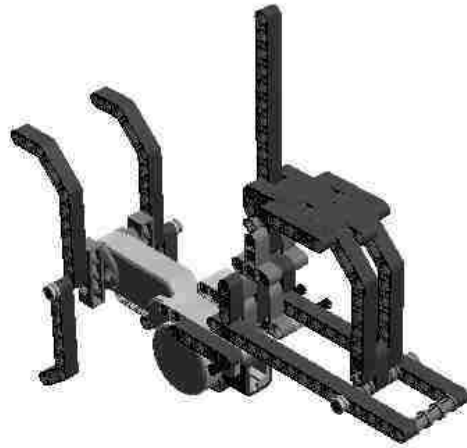
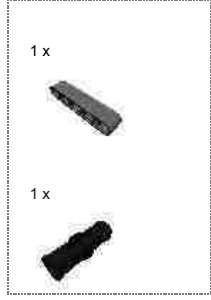
Step 38 of 102



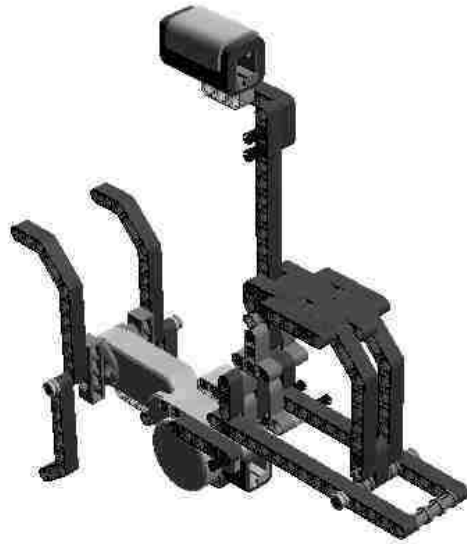
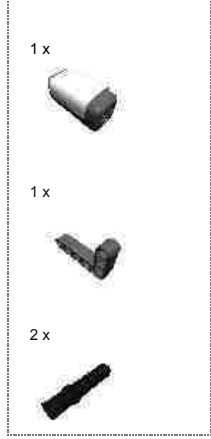
Step 39 of 102



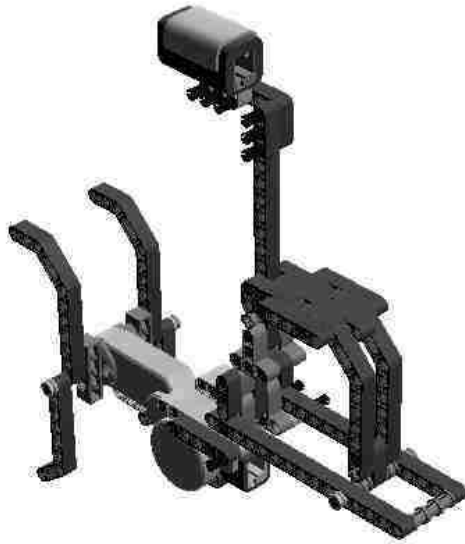
Step 40 of 102



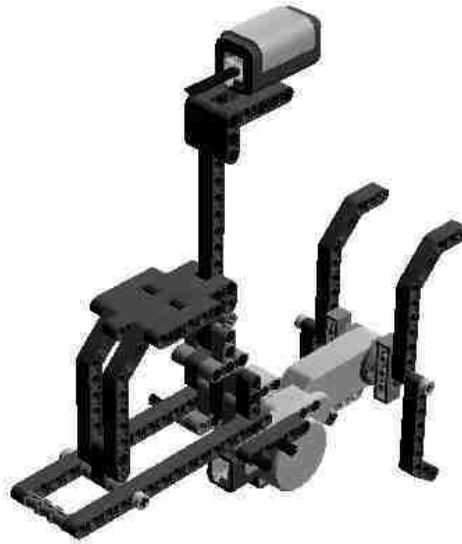
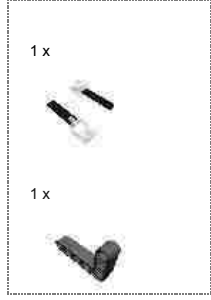
Step 41 of 102



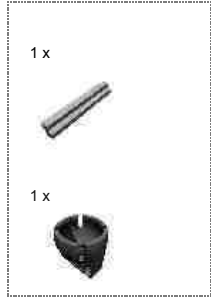
Step 42 of 102



Step 43 of 102



Step 44 of 102



Step 45 of 102



Step 46 of 102



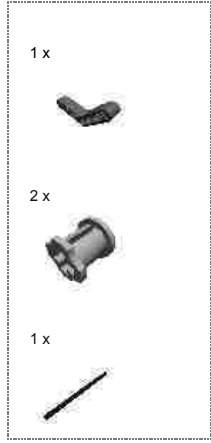
Step 47 of 102



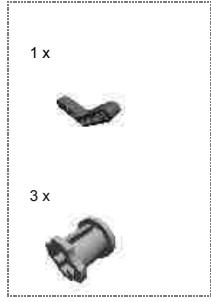
Step 48 of 102



Step 49 of 102



Step 50 of 102



Step 51 of 102



Step 52 of 102

2 x



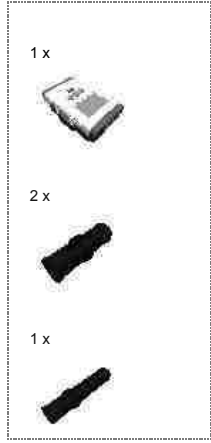
1 x



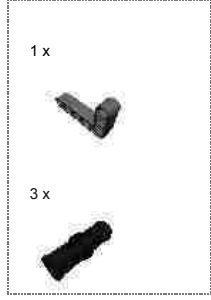
1 x



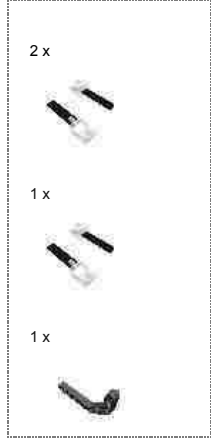
Step 53 of 102



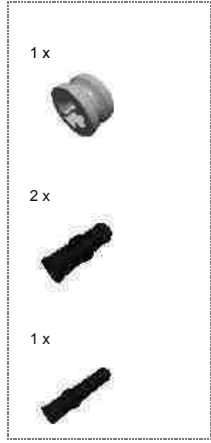
Step 54 of 102



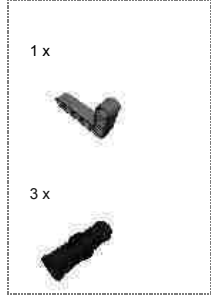
Step 55 of 102



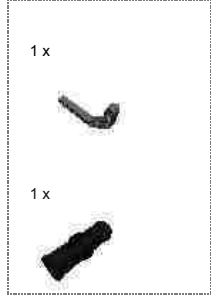
Step 56 of 102



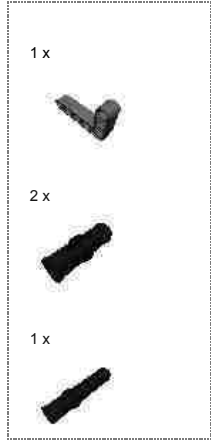
Step 57 of 102



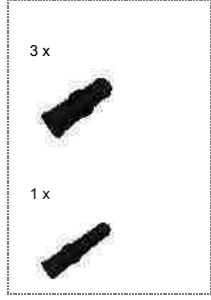
Step 58 of 102



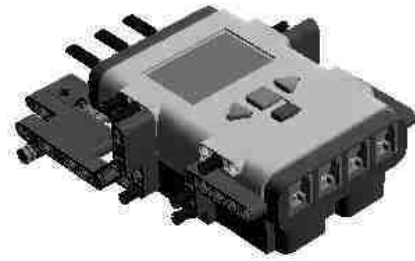
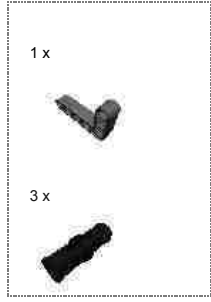
Step 59 of 102



Step 60 of 102

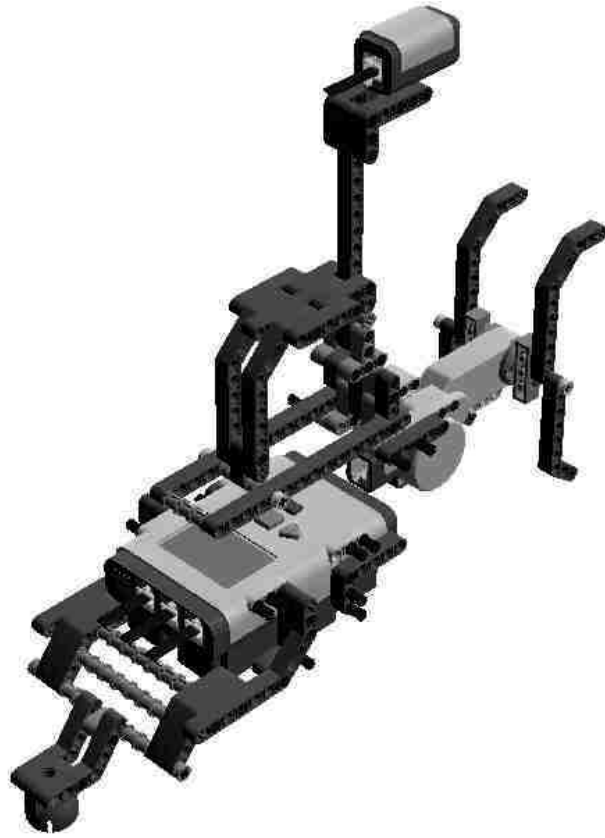


Step 61 of 102

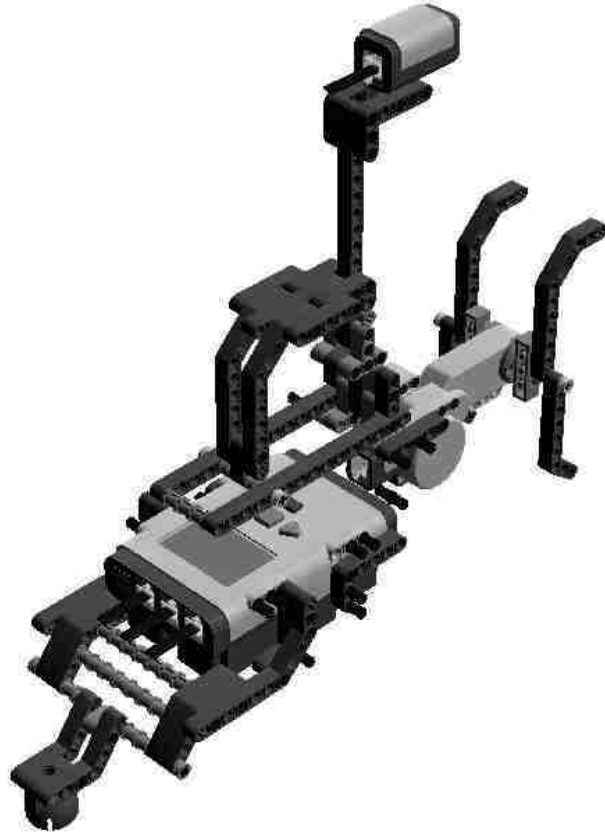


Step 62 of 102

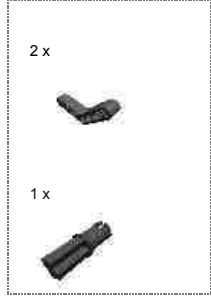


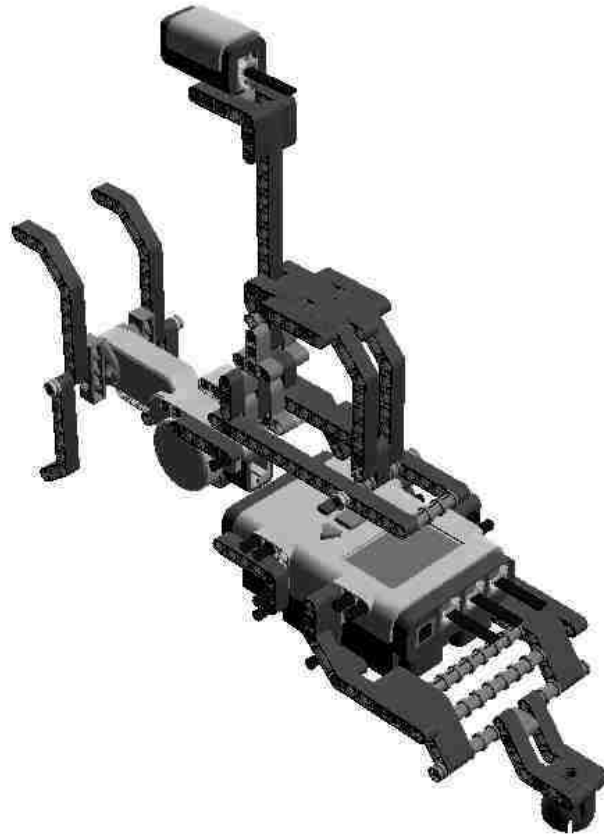


Step 64 of 102

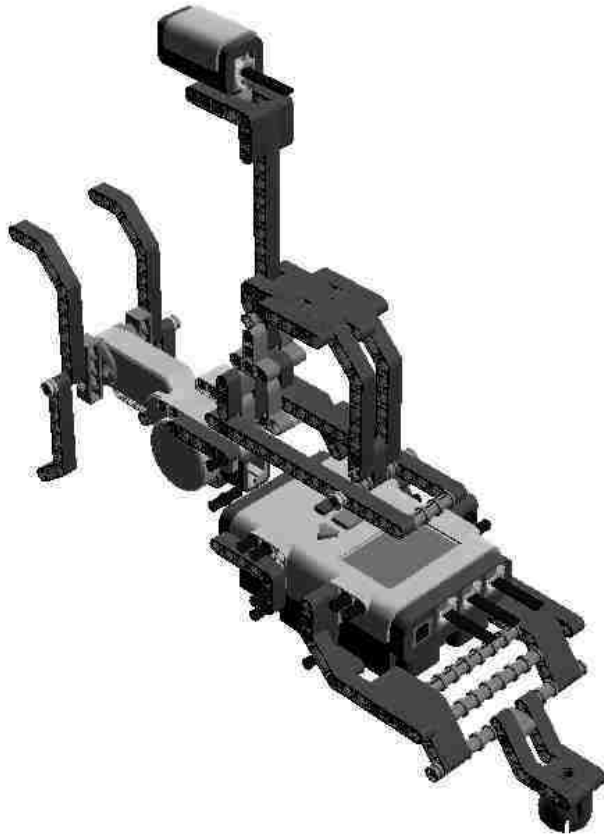


Step 65 of 102

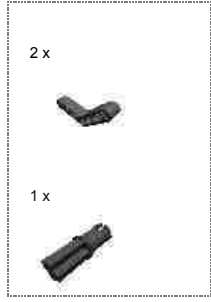


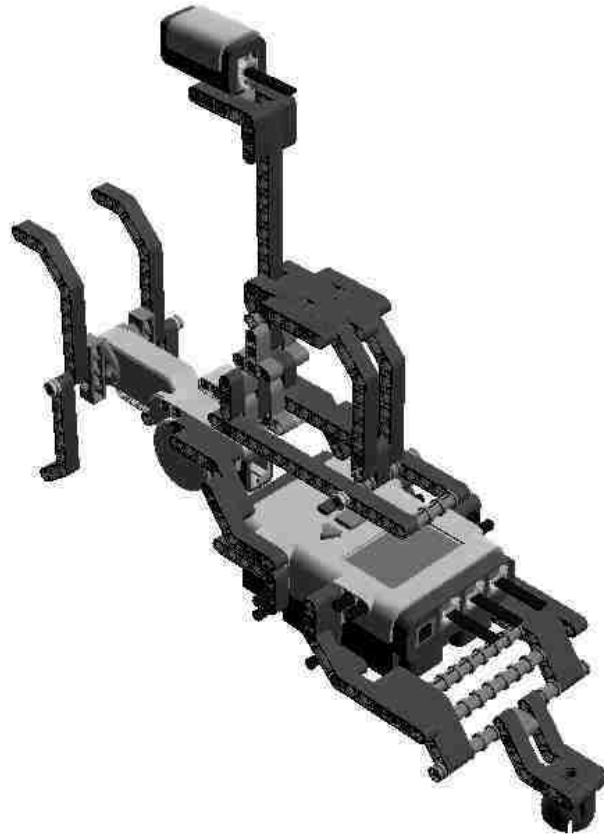


Step 67 of 102

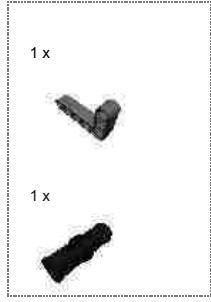


Step 68 of 102

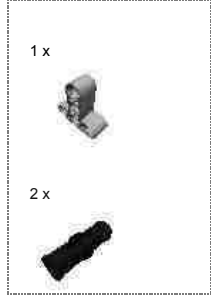




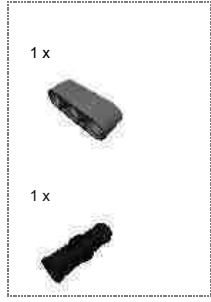
Step 70 of 102



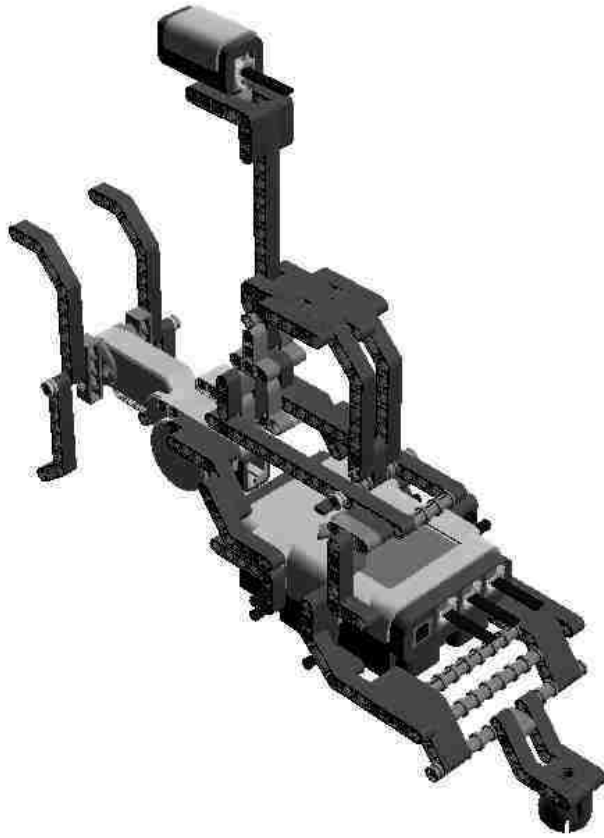
Step 71 of 102



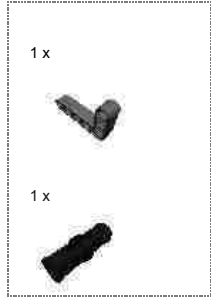
Step 72 of 102



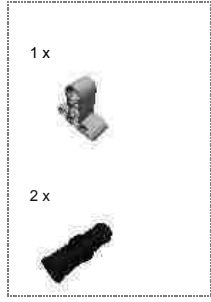
Step 73 of 102



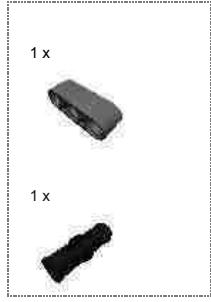
Step 74 of 102



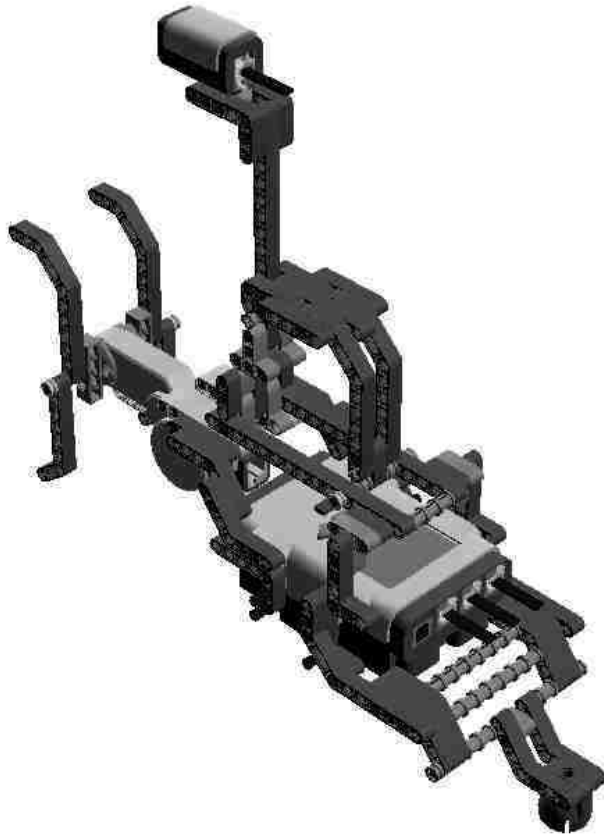
Step 75 of 102



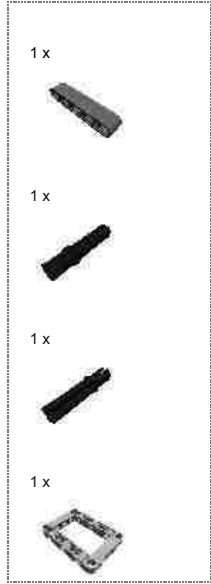
Step 76 of 102



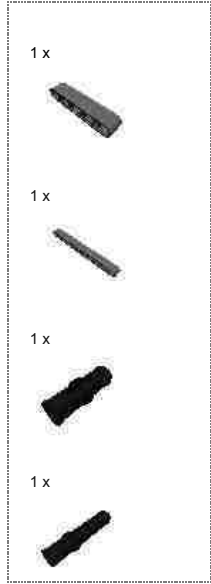
Step 77 of 102



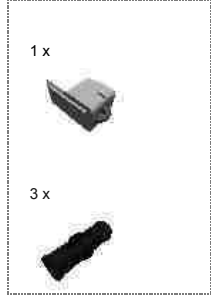
Step 78 of 102



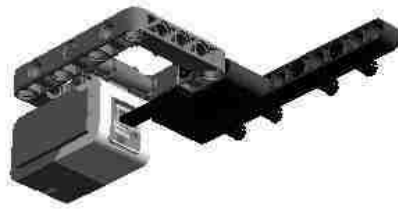
Step 79 of 102



Step 80 of 102



Step 81 of 102



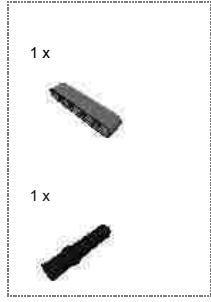
Step 82 of 102



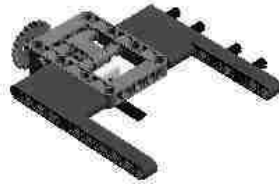
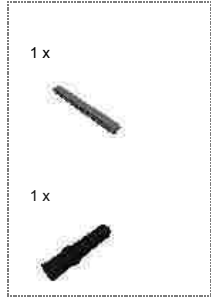
Step 83 of 102



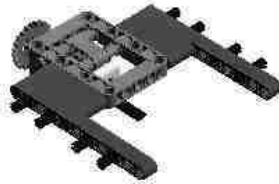
Step 84 of 102

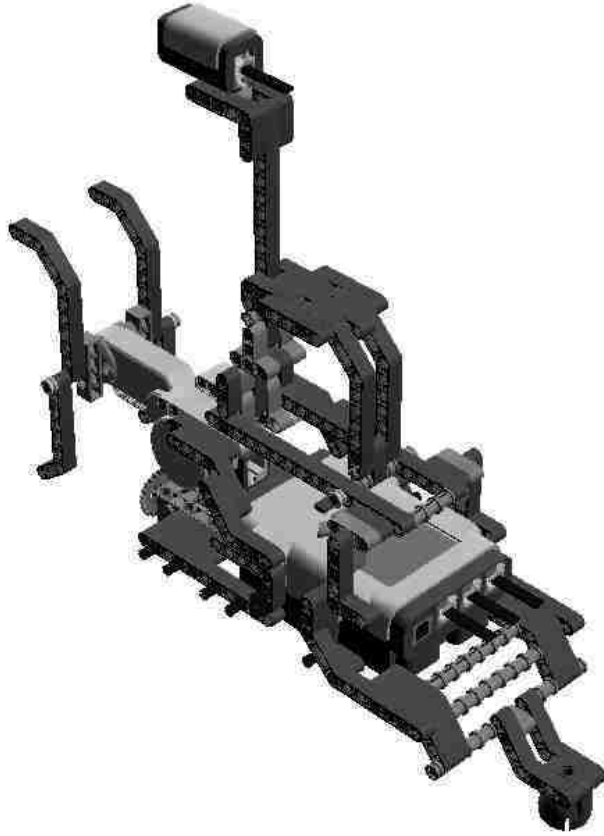


Step 85 of 102

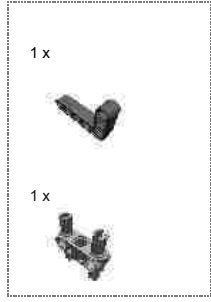


Step 86 of 102

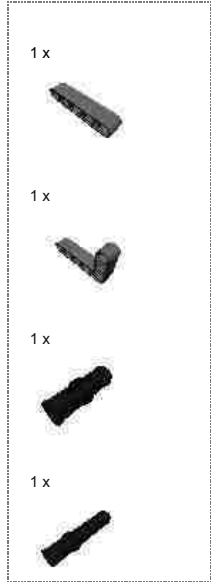




Step 88 of 102

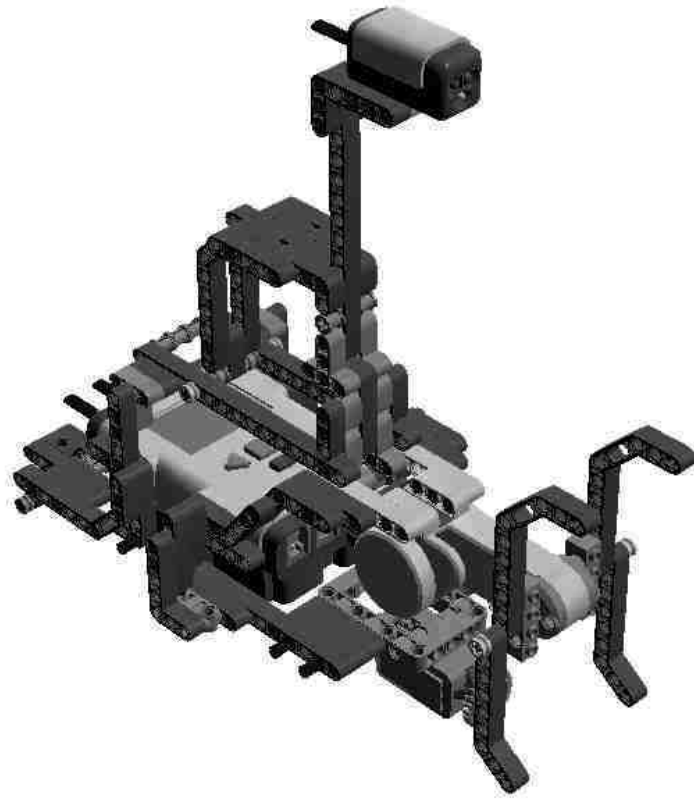


Step 89 of 102

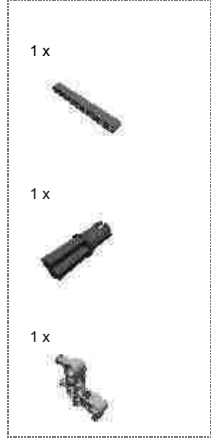


Step 90 of 102

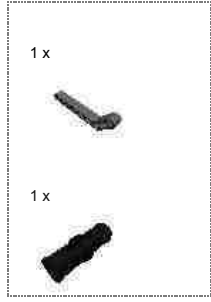




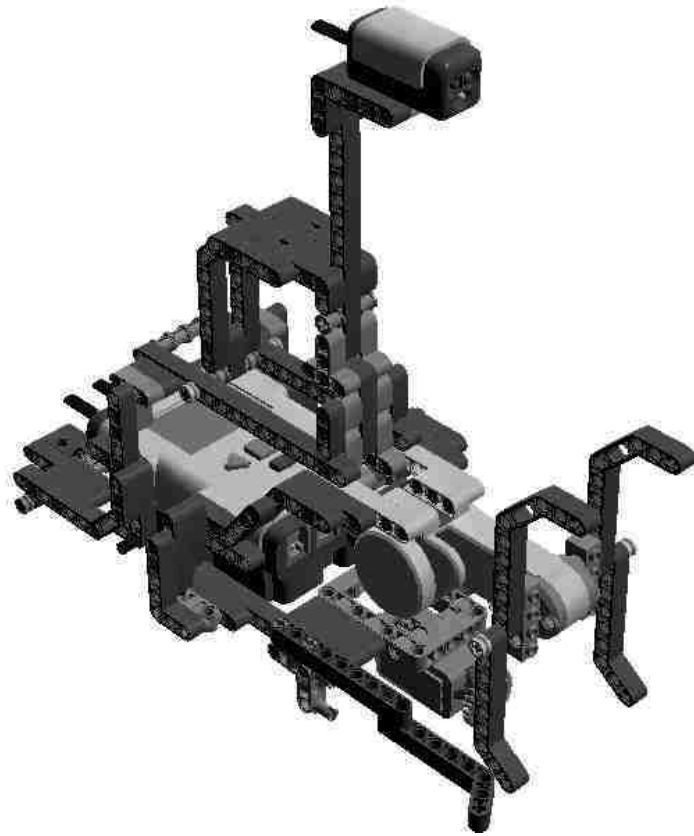
Step 92 of 102



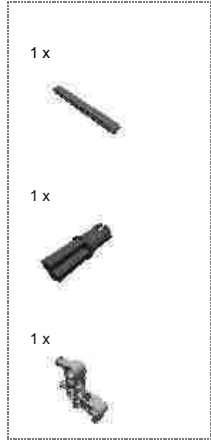
Step 93 of 102



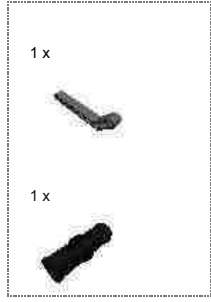
Step 94 of 102



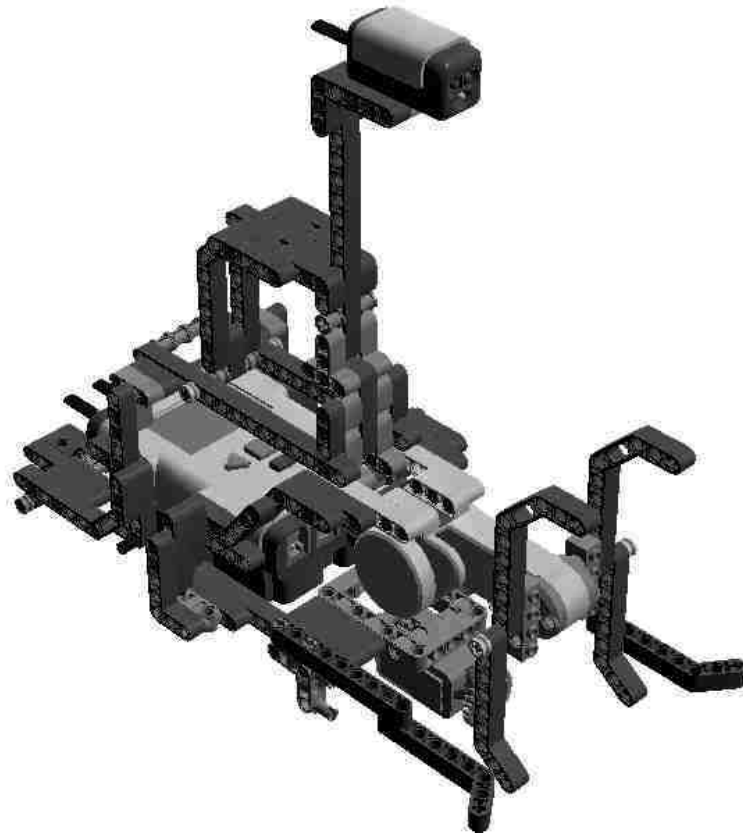
Step 95 of 102



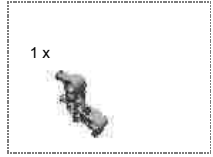
Step 96 of 102



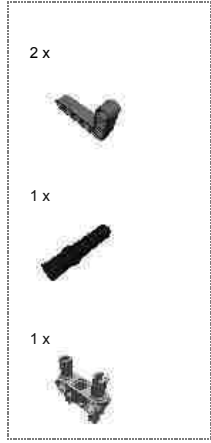
Step 97 of 102



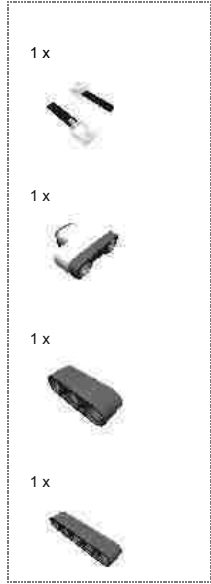
Step 98 of 102



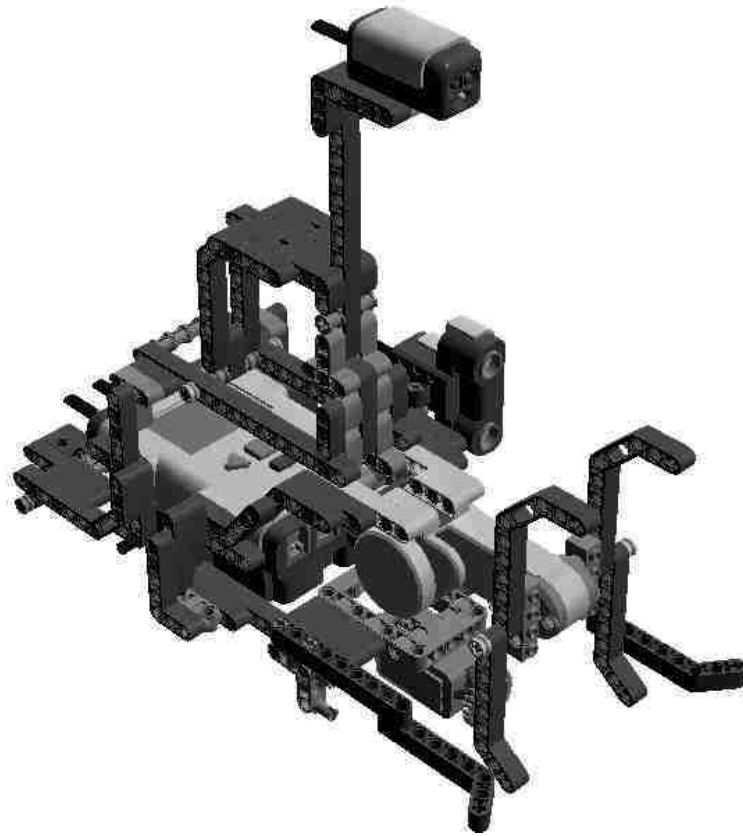
Step 99 of 102



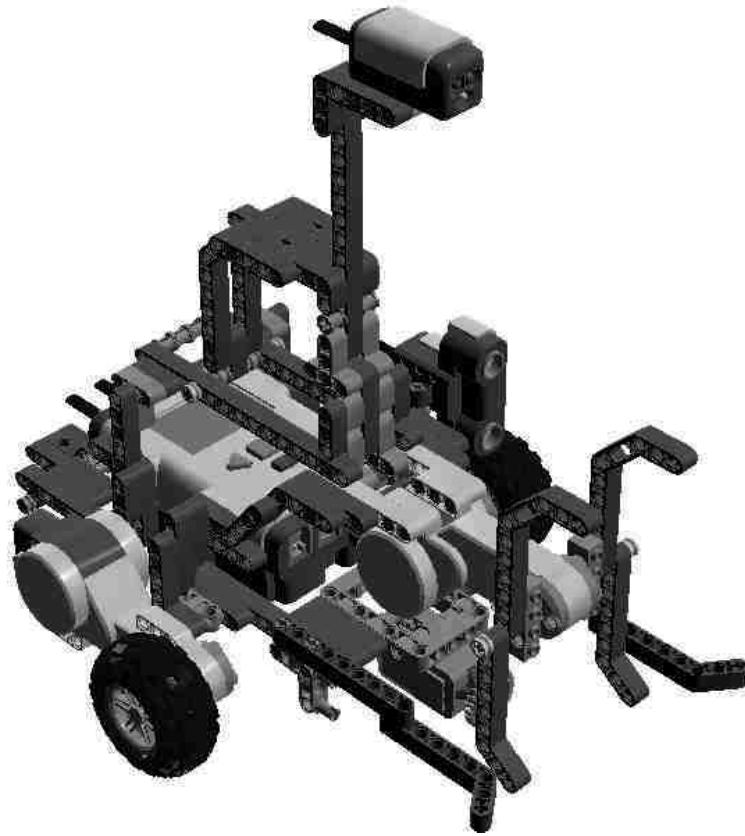
Step 100 of 102









































Step 101 of 102



Step 102 of 102



2 x		4211441	TECHNIC BRICK 1X4, Ø4,9 - Mittel Steingrau	2 x		4297210	RIM WIDE W.CROSS 30x20 - Mittel Steingrau	2 x		4297209	TYRE BALOON WIDE Ø56 X 26 - Schwarz
4 x		6024581	CABLE 250 MM - Schwarz,Transparent	2 x		4297187	CABLE 0,2 M - Schwarz,Transparent	1 x		4546542	COLOUR SENSOR, ASSEMBLED - Mittel Steingrau,Dunkel Steingrau,Helles Steingrau
1 x		6008472	MS, EV3, TOUCH SENSOR - Weiss,Klares Rot,Mittel Steingrau,Silber Metallic	1 x		4297174	Ultrasound sensor - Klares Orange,Mittel Steingrau,Dunkel Steingrau,Helles Steingrau	3 x		4297008	Tacho Motor - Klares Orange,Dunkel Steingrau,Helles Steingrau
1 x		6034375	NXT - Schwarz,Klares Orange,Grün Sandfarbe,Mittel Steingrau,Dunkel Steingrau,Helles Steingrau,Cool Silber,	3 x		4211862	TECHNIC 2M BEAM - Mittel Steingrau	7 x		4210751	TECHNIC 3M BEAM - Dunkel Steingrau
				10 x		4210686	TECHNIC 5M BEAM - Dunkel Steingrau	1 x		4495931	TECHNIC 7M BEAM - Dunkel Steingrau
2 x		4297199	TECHNIC 7M BEAM - Helles Steingrau	2 x		4210667	TECHNIC ANG. BEAM 4X2 90 DEG - Dunkel Steingrau	1 x		4645730	TECHNIC 9M BEAM - Dunkel Steingrau
6 x		4535772	T-BEAM 3X3 W/HOLE Ø4.8 - Mittel Steingrau	3 x		4210755	TECHNIC 11M BEAM - Dunkel Steingrau	3 x		4542576	TECHNIC 15M BEAM - Dunkel Steingrau
13 x		4210753	TECHNIC ANG. BEAM 3X5 90 DEG. - Dunkel Steingrau	10 x		4210656	TECHNIC ANGULAR BEAM 4X4 - Dunkel Steingrau	4 x		4210673	TECHNIC ANGULAR BEAM 3X7 - Dunkel Steingrau
6 x		4210668	DOUBLE ANGULAR BEAM 3X7 45° - Dunkel Steingrau	6 x		4211573	1/2 BUSH - Mittel Steingrau	4 x		4239601	1/2 BUSH - Klares Gelb
3 x		4109810	2M CROSS AXLE W. GROOVE - Schwarz	59 x		4121715	CONNECTOR PEG W. FRICTION - Schwarz	2 x		4211815	CROSS AXLE 3M - Mittel Steingrau
27 x		4211622	BUSH FOR CROSS AXLE - Mittel Steingrau	4 x		4206482	CONN.BUSH W.FRIC./CROSSALE - Klares Blau	1 x		370526	CROSS AXLE 4M - Schwarz
38 x		655826	CONNECTOR PEG W. FRICTION 3M - Schwarz	1 x		6089119	Cross axle 2m w. snap w. fric. - Schwarz	4 x		4211639	CROSS AXLE 5M - Mittel Steingrau
1 x		370626	CROSS AXLE 6M - Schwarz	2 x		373726	CROSS AXLE 10M - Schwarz	2 x		370826	CROSS AXLE 12M - Schwarz
2 x		4225033	BEAM 3 M. W/4 SNAPS - Mittel Steingrau	3 x		4296059	Angular beam 90degr. w.4 snaps - Mittel Steingrau	1 x		4610380	POWER JOINT - Dunkel Steingrau



1 x 4539880 BEAM FRAME 5X7 Ø 4.85 - Mittel Steingrau



1 x 4211434 CROWN- AND GEAR WHEEL Z24 - Mittel Steingrau

© 2012 The LEGO Group. All rights reserved.
Use of the LEGO Digital Designer html print tool, signifies your agreement to the terms of use.