

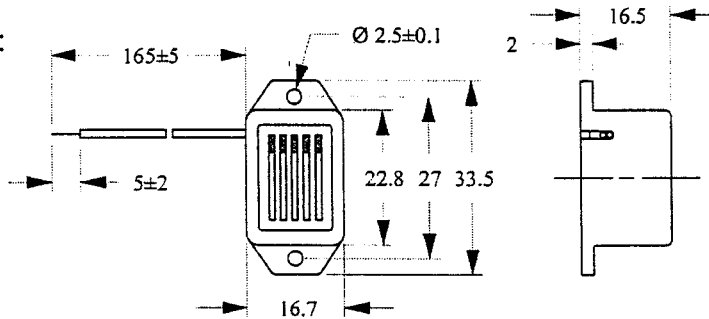
EMS-03 (Artikel-Nr. 197020)



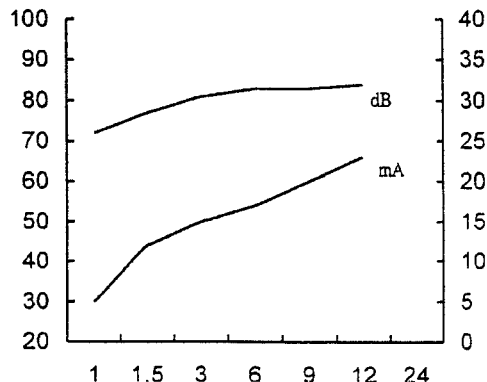
SPECIFICATIONS:

| TYPE | UNIT | EMS-03 |
|---------------------------|------|------------|
| Min. Sound Output at 30cm | dB | 80 |
| Rated Voltage | VDC | 3.0 |
| Operating Voltage | VDC | 2~4 |
| Resonant Frequency | Hz | 400±100 |
| Max. Current Consumption | mA | 25 |
| Tone nature | | Continuous |
| Operating Temperature | °C | -20~+60 |
| Storage Temperature | °C | -30~+70 |
| Weight | g | 8.5 |

DIMENSIONS : (Unit: mm)



FREQUENCY RESPONSE:



EMS-06 (Artikel-Nr. 197030)

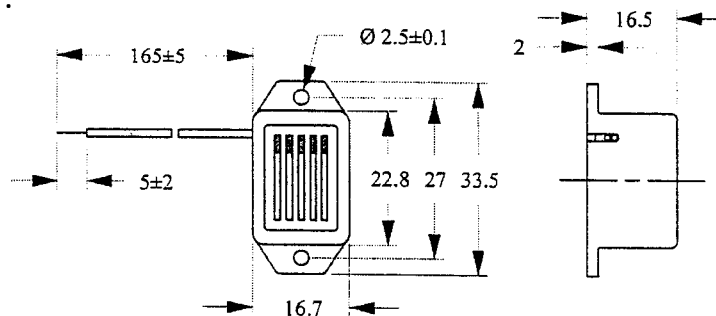


SPECIFICATIONS:

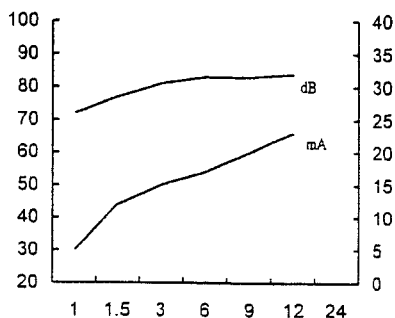
| TYPE | UNIT | EMS-06 |
|---------------------------|-----------------|------------|
| Min. Sound Output at 30cm | dB | 80 |
| Rated Voltage | V _{DC} | 6.0 |
| Operating Voltage | V _{DC} | 4 ~ 8 |
| Resonant Frequency | Hz | 400±100 |
| Max. Current Consumption | mA | 25 |
| Tone nature | | Continuous |
| Operating Temperature | °C | -20 ~ +60 |
| Storage Temperature | °C | -30 ~ +70 |
| Weight | g | 8.5 |

DIMENSIONS :

(Unit: mm)



FREQUENCY RESPONSE:



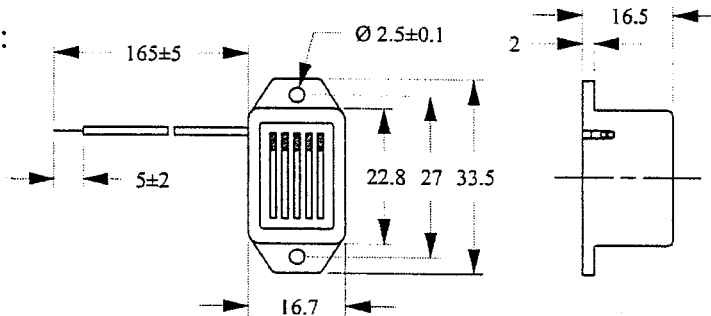
EMS-12 (Artikel-Nr. 197050)



SPECIFICATIONS:

| TYPE | UNIT | EMS-12 |
|---------------------------|-----------------|------------|
| Min. Sound Output at 30cm | dB | 85 |
| Rated Voltage | V _{DC} | 12.0 |
| Operating Voltage | V _{DC} | 9~15 |
| Resonant Frequency | Hz | 400±100 |
| Max. Current Consumption | mA | 25 |
| Tone nature | | Continuous |
| Operating Temperature | °C | -20~+60 |
| Storage Temperature | °C | -30~+70 |
| Weight | g | 8.5 |

DIMENSIONS : (Unit: mm)



FREQUENCY RESPONSE:

